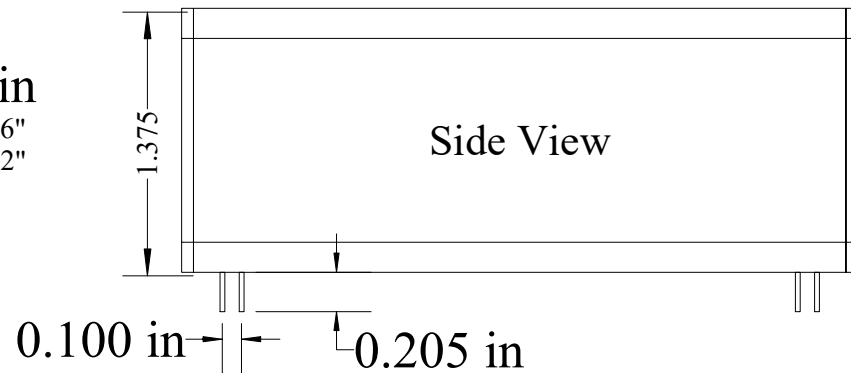
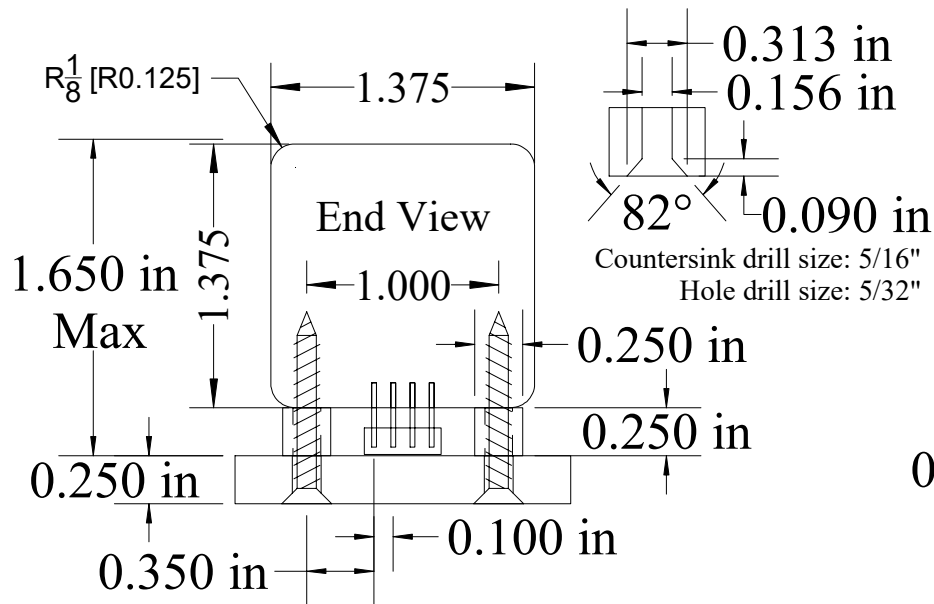
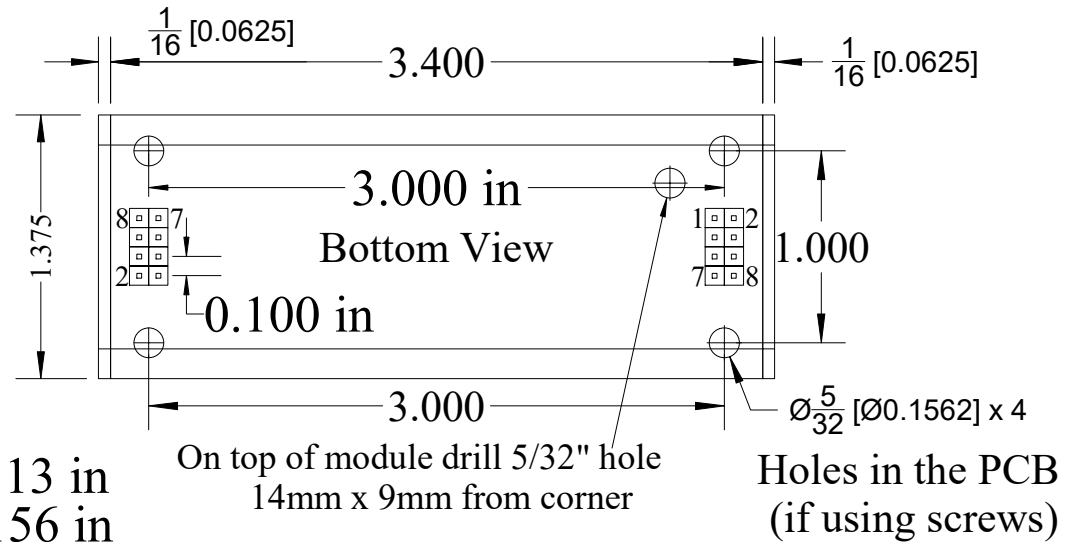


**Connection Table**  
Same for both connectors

1: Pair #1-A	2: Pair #1-B
3: Pair #2-A	4: Pair #2-B
5: Pair #3-A	6: Pair #3-B
7: Pair #4-A	8: Pair #4-B



Old Part Number:  
 CAT 5/5E-T REV4-60M  
 CAT 5/5E-T REV6-60M  
 CAT 5/5E-T REV6-100M

**Parts List**

Simulator	1	GAJ Technology	CATx-M-xxxm-PCB
Socket	2	Samtec	HLE-104-02-S-DV
Spacer	4	Keystone	884
Screws	4	Hillman	126066



<http://gaj.ca>

**GAJ Technology**

TITLE:  
 ASSEMBLY DRAWING  
 1 x Module PCB Mount

DIMENSIONS: +/- 0.005 inches unless otherwise specified				
DRAWN BY	DATE	SIZE	DWG. No.	REV
J. Doire	Mar 30, 2022	ANSI A	0012	8
CHECKED BY	DATE			
M. Leblond	Mar 30, 2022	SHEET 1 OF 1		